

TRENDING-GHANA EXAMINATIONS CONSULTS

(INTELLIGENCE IS OUR HALLMARK)

NAME:

INDEX NUMBER:

DATE:

FIRST TERM MOCK ASSESSMENT I

FORM THREE (3)

MOCK ONE (1)

PRE- TECHNICAL SKILLS 2 & 1

2 HOURS

This examination consists of two papers; Papers 2 and 1. Paper 2 consists of Part I which has a compulsory Q1 and Part II which two questions can be answered out of the three

INSTRUCTIONS

- *Do not open this booklet until you are told to do so*
- *While you are waiting, read the instructions carefully*
- *Write your **name, index number and date***
- *Do not talk to your friends during exams*
- *Leave space between every sub – question*
- *Direct all questions to the invigilator during exams*
- *Do not start work until you are told to do so.*

PART I – COMPULSORY (30marks)

- 1a. i) What are *permanent stitches*?
 ii) State **two** examples of permanent stitches.

- b. i) What is *design brief*?
 ii) List **four** methods of recording research information
 iii) Explain the term *testing* and *evaluation*

- c. i) Explain the term *exhibition*
 ii) State **three** importance of exhibition

- d. i) What is *food spoilage*?
 ii) State **four** causes of food spoilage

- e) State **two** disadvantages of sole – proprietorship business

PART II – (50 marks)

Answer **two** questions **only** in this part

- Q2a. i) Make a freehand pictorial sketch of a shovel
 ii) State **one** use of a shovel
 iii) Label any **two** parts of the shovel sketched in question **2a.(i)** above.

- b. Copy and complete the table below

Item	Two materials used
<i>Bucket</i>	
<i>Kitchen stool</i>	
<i>Door frame</i>	
<i>Coal pot</i>	

- Q3a. i) Name **four** cutting tools used in woodwork shop
 ii) Sketch any **two** of the mentioned cutting tools (i) above

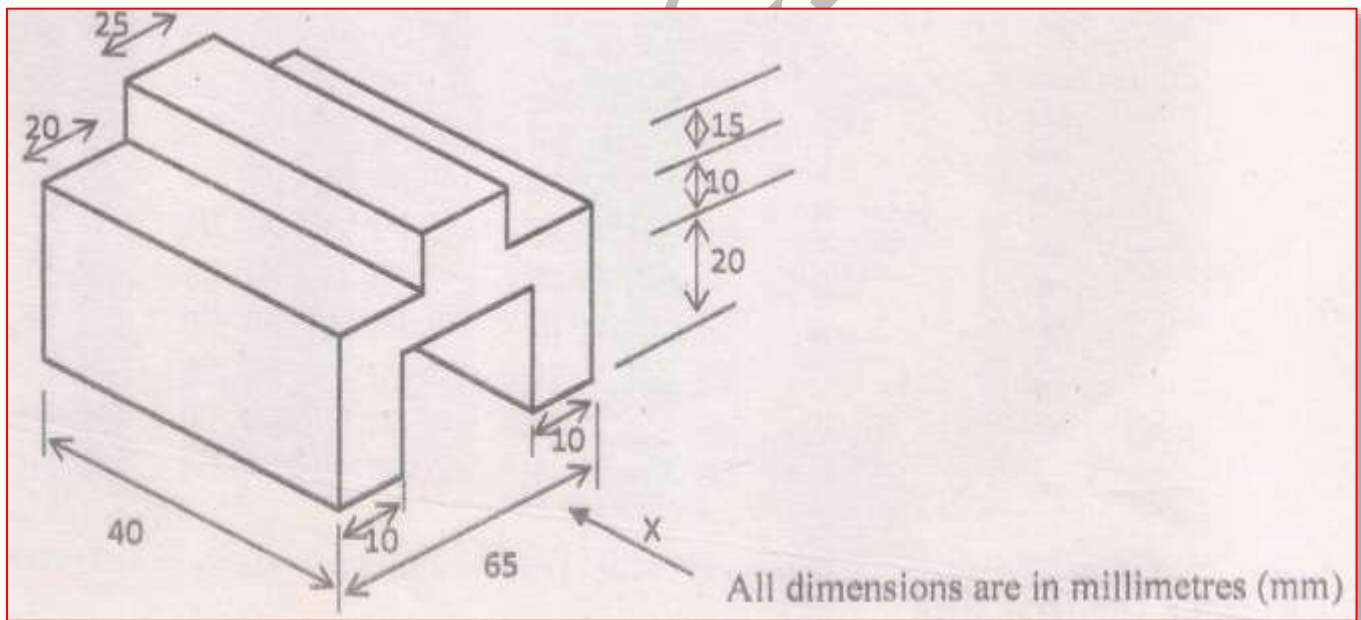
- b. i) Sketch and label the parts of firmer chisel
 ii) Copy and complete the table below

<i>Materials</i>	<i>Two properties</i>	<i>Two uses</i>
i) Cast iron		
ii) Polythene		
iii) Copper		
iv) Odum		

- c. i) What is *design brief*?
 ii) List **four** methods of recording research information
 iii) Explain the term *testing and evaluation*

Q4a. The figure below shows pictorial view of a wooden block. Draw the full size in first angle projection and the following views

- i) *the front view in the direction of arrow X*
 ii) *the plan*
 iii) *the left and elevation*

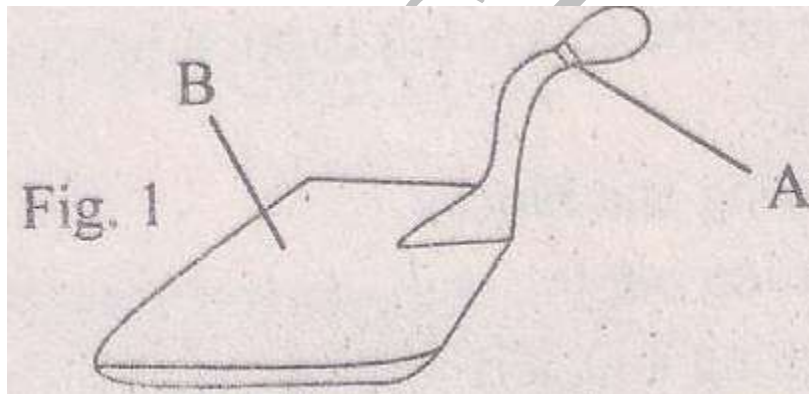


- b. i) List **four** tools that would be used to make out the work pieces
 ii) List **two** tools that would be used to cut the work pieces
 iii) List **four** finishes that would be used to finish the work pieces

- c. i) List **four** components of electric circuit
 ii) State **one** use of each of any two components listed in c(i) above
 iii) Draw any **three** of the components listed in c(i) above

1. Temporary stitches are removed from an article after
 - a) the article is sold
 - b) the article is decorated
 - c) serving their purpose
 - d) cutting the patterns
2. The common nutrient found in cassava is
 - a) protein
 - b) carbohydrates
 - c) vitamins
 - d) iron
3. What is the suitable equipment for supporting drawing sheet drawing?
 - a) Tee-square
 - b) Chalkboard
 - c) Writing board
 - d) drawing board
4. In designing, the first thing to do is to
 - a) identify the problem
 - b) analyze the problem
 - c) state the problem
 - d) generate possible solutions
5. The color code of neutral wire in an electric cable is
 - a) red
 - b) brown
 - c) black
 - d) yellow
6. A drawing showing vegetation and building is
 - a) map
 - b) landscape
 - c) image
 - d) scale
7. In Ghana, ornaments for Kings are symbolized in what color?
 - a) White
 - b) Red
 - c) Green
 - d) Yellow
8. All these tools can be found in a tailor's shop, except.....
 - a) ladle
 - b) needle
 - c) tailor's chalk
 - d) scissors
9. The coal pot is made through the principles of
 - a) orthographic projections
 - b) surface development
 - c) pictorial drawing
 - d) exploded drawing
10. Which of the following is an indirect risk?
 - a) flood
 - b) fire outbreak
 - c) introduction of new tax
 - d) theft
11. One importance of packaging is to
 - a) demonstrate knowledge and skills
 - b) promote and advertise products
 - c) sell products
 - d) protect and preserve product
12. To show perspective drawing in a painting, objects near the horizon should be
 - a) large
 - b) bright
 - c) smaller
 - d) intense

13. Statement describing the problem in designing is referred to as
 a) brief b) analysis c) situation d) investigation
14. The main function of vitamin D in the body is to prevent
 a) scurvy b) beriberi c) night blindness d) rickets
15. Which of the following is a principle of design?
 a) emphasis b) texture c) dot d) shape
16. Electricity can pass through the following except
 a) Aluminum b) Copper c) tin d) gold
17. Which of these electronic components in a circuit can store and release electric energy?
 a) insulator b) diode c) capacitor d) conductor
18. The basic tool used for cutting sheet metal is called
 a) scissors b) snip c) knife d) spoke shave



19. What is the name of the tool drawn above?
 a) Bolster b) shovel c) trowel d) pointing trowel
20. The part labelled A is called?
 a) Ferrule b) shank c) blade d) handle